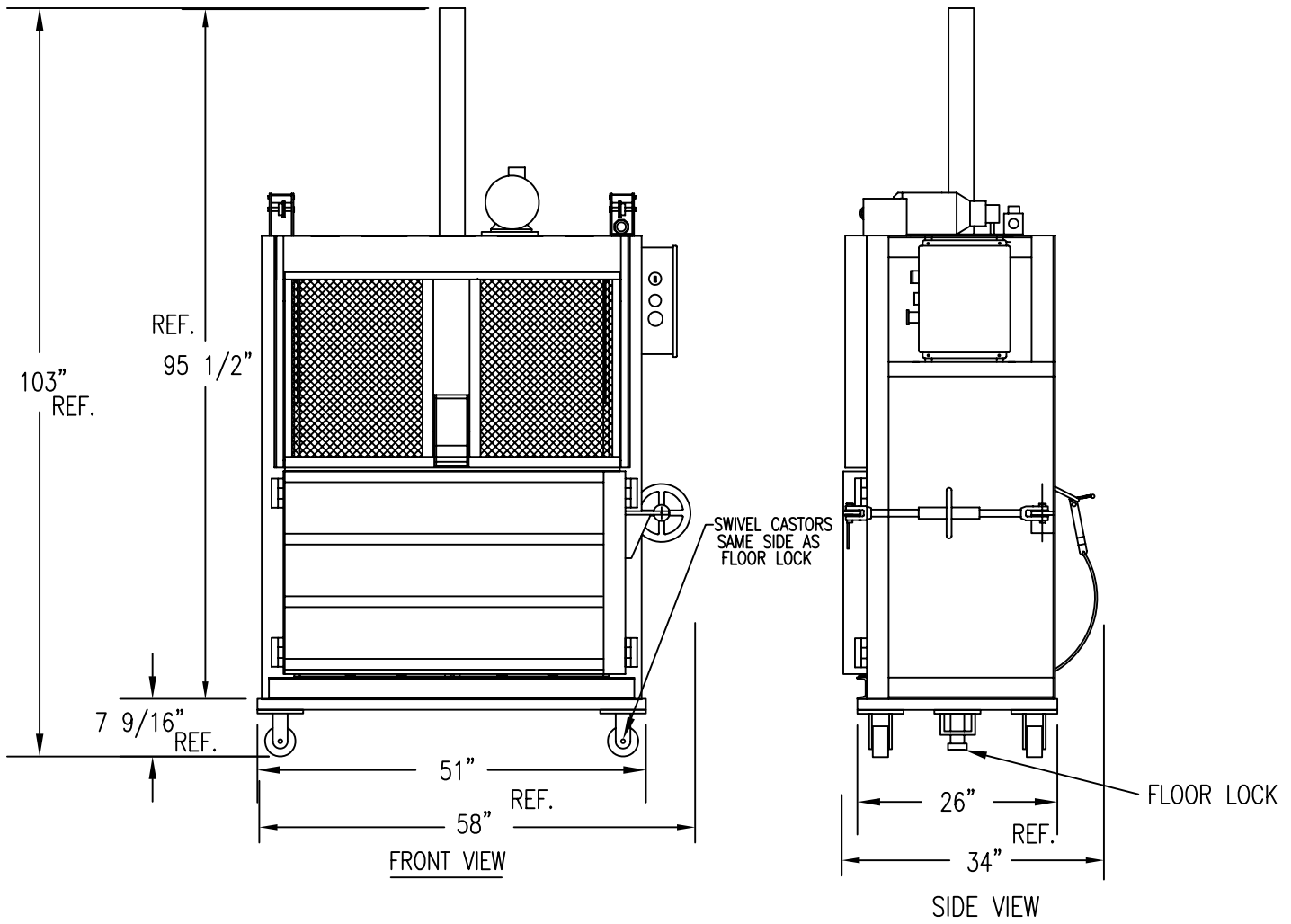


PTR BALER & COMPACTOR



SPECIFICATIONS

BALE WEIGHT _____	200-400 LBS
BALE SIZE _____	42" X 22" X 30"
FEED OPENING _____	19" X 42"
TOTAL CHAMBER VOLUME _____	29 cu ft.
PLATEN AREA _____	931 sq.in.
PLATEN FORCE	
WORKING _____	11,300 LBS
RELIEF _____	14,800 LBS
AVERAGE CYCLE TIME _____	30 SEC.
CYLINDER BORE _____	3"
CYLINDER STROKE _____	32"
CYLINDER ROD _____	1 3/4"
MOTOR _____	3 HP (208/230/460V-3 PHASE)
PUMP _____	3.1 GPM
SHIP WEIGHT _____	1500 LBS